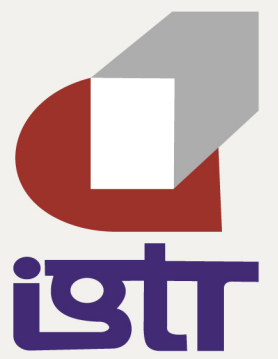




INDO GERMAN TOOL ROOM, AHMEDABAD

(A Govt. of India Society under the Ministry of MSME)

An ISO 9001 : 2015 Tool Room & Training Centre



JUNIOR DESIGNER CAD/CAM

NSQF / NCVET Approved

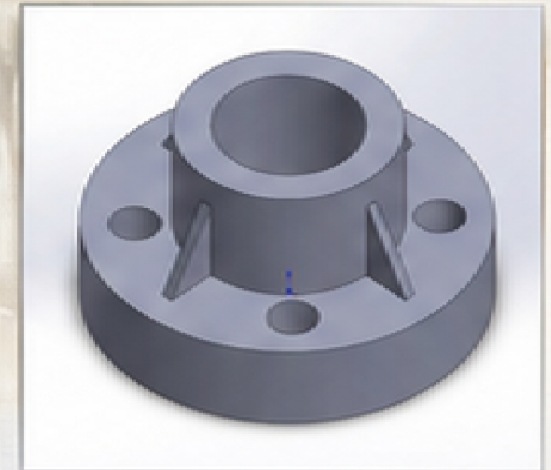
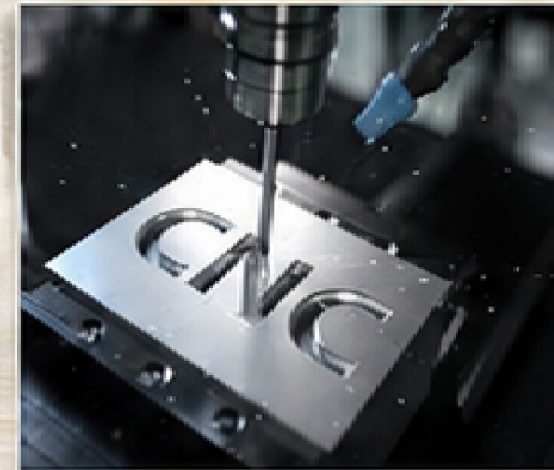
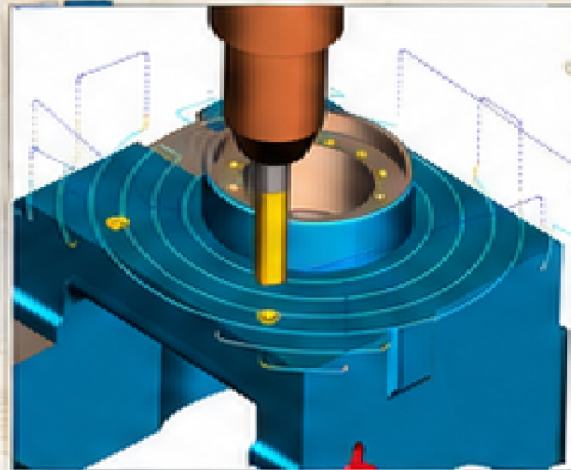
NCrF/NSQF Level: 4.5

Course Contents :

- AUTOCAD
- SOLIDWORKS
- CATIA
- NX CAD/CAM
- ANSYS
- CNC TURNING PROGRAMMING & MACHINING
- CNC MILLING PROGRAMMING & MACHINING
- EMPLOYABILITY SKILLS
- PROJECT WORK/OJT

STARTING FROM

01ST AUGUST 2026



Duration : 600 Hours

Mode of Training : OFFLINE



QUALIFICATION :

Diploma / Degree
(Mechanical / Production /
Automobile Engineering
or Equivalent)



HOSTEL & MESS :
Facilities Available
on Chargeble Basis



SCAN
HERE
TO
APPLY

NO TUITION FEES FOR SC/ST CANDIDATES | FOR OTHER CONTACT US

“Job Opportunity Provided After Successful Completion of the Training.”



info@igtrahd.com



www.igtrahd.com



9099041986, 9099040868



Plot No. 5003, Phase-4, Mehmedabad
Road, Vatva GIDC, Ahmedabad-382445